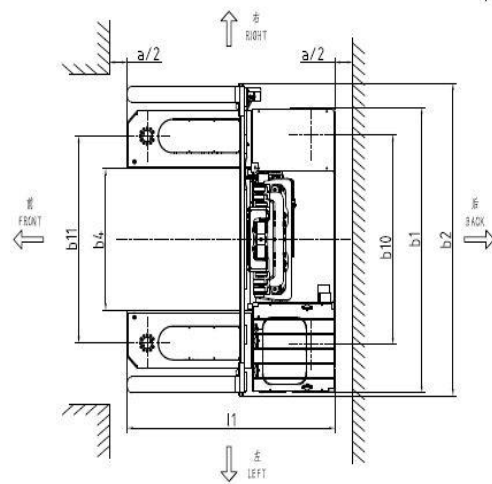
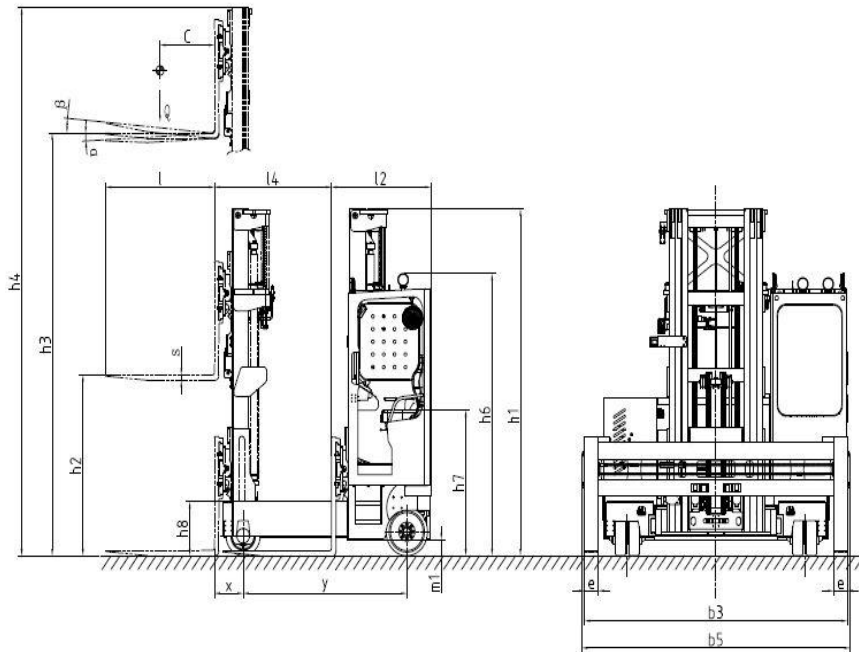


Seated Multi-directional Forklift MQC35

Standard			
1,1	Brand		MiMA
1,2	Model		MQC35
1,3	Power type		Battery
1,4	Operation type		Seated
1,5	Rated capacity	Q(kg)	3500
1,6	Load center	C(mm)	600
1,7	Front overhang	x(mm)	325
1,8	Wheelbase	y(mm)	1810
Weight			
2,1	Service weight(incl.battery)	kg	6370①
Wheel			
3,1	Wheel type		Rubber solid wheel
3,2	Load wheel	mm	14×5/φ356×127
3,3	Drive wheel	mm	16×7/φ406×178
3,4	Number of wheels,front/rear(x=drive wheel)		4/2X
3,5	Wheel tread,drive side	b10(mm)	1712
3,6	Wheel tread,load side	b11(mm)	1760
Size			
4,1	Fork tilt front/rear	α/β(°)	2/4
4,2	Mast closed height	h1(mm)	3043
4,3	Free lift height	h2(mm)	1958
4,4	Lift height	h3(mm)	6000
4,5	Mast extended height with load-backrest	h4(mm)	7135
4,6	Overhead guard height	h6(mm)	2674②
4,7	Seat height	h7(mm)	1365
4,8	Leg height	h8(mm)	470
4,9	Overall length	l1(mm)	2300
4,10	Length from tail to fork face	l2(mm)	1100
4,11	Overall width	b1/b2(mm)	2435/2860
4,12	Fork size	l/e/s(mm)	1200×150×50
4,13	Fork outside width	b5(mm)	550-2800
4,15	Inner leg width	b4(mm)	1150
4,16	Reach stroke	l4(mm)	1300
4,17	Ground clearance(center of wheelbase)	m1(mm)	124
4,18	Side driving aisle width for 1200x6000mm cargo(C=600mm)	Ast(mm)	/
Function			
5,1	Straight driving speed,load/unload	km/h	7/8
5,2	Side driving speed,load/unload	mm/s	6/7
5,3	Lifting speed,load/unload	mm/s	/
5,4	Lowering speed(load/unload)	mm/s	/
5,5	Max gradeability load/unload(S2-5min)	%(tanθ)	8/8
5,6	Brake type		Electromagnetic type
Drive			
6,1	Driving motor(S2-60min)	kw	2×8AC
6,2	Lifting motor(S3-15%)	kw	15AC
6,3	Battery voltage/capacity	V/Ah	48/560
6,4	Battery weight	kg	910



CAPACITY CHART

h_3 (mm)	Q (kg)				
8000	2000	1710	1500	1330	1200
7500	2250	1930	1680	1500	1350
7000	2500	2140	1875	1660	1500
6500	2750	2350	2060	1830	1650
6000	3000	2550	2250	2000	1800
5500	3150	2700	2360	2100	1890
5000	3300	2800	2475	2200	1980
4500	3400	2900	2550	2260	2040
4000	3500	3000	2625	2330	2100
	600	700	800	900	1000

LOAD CENTER (mm)

